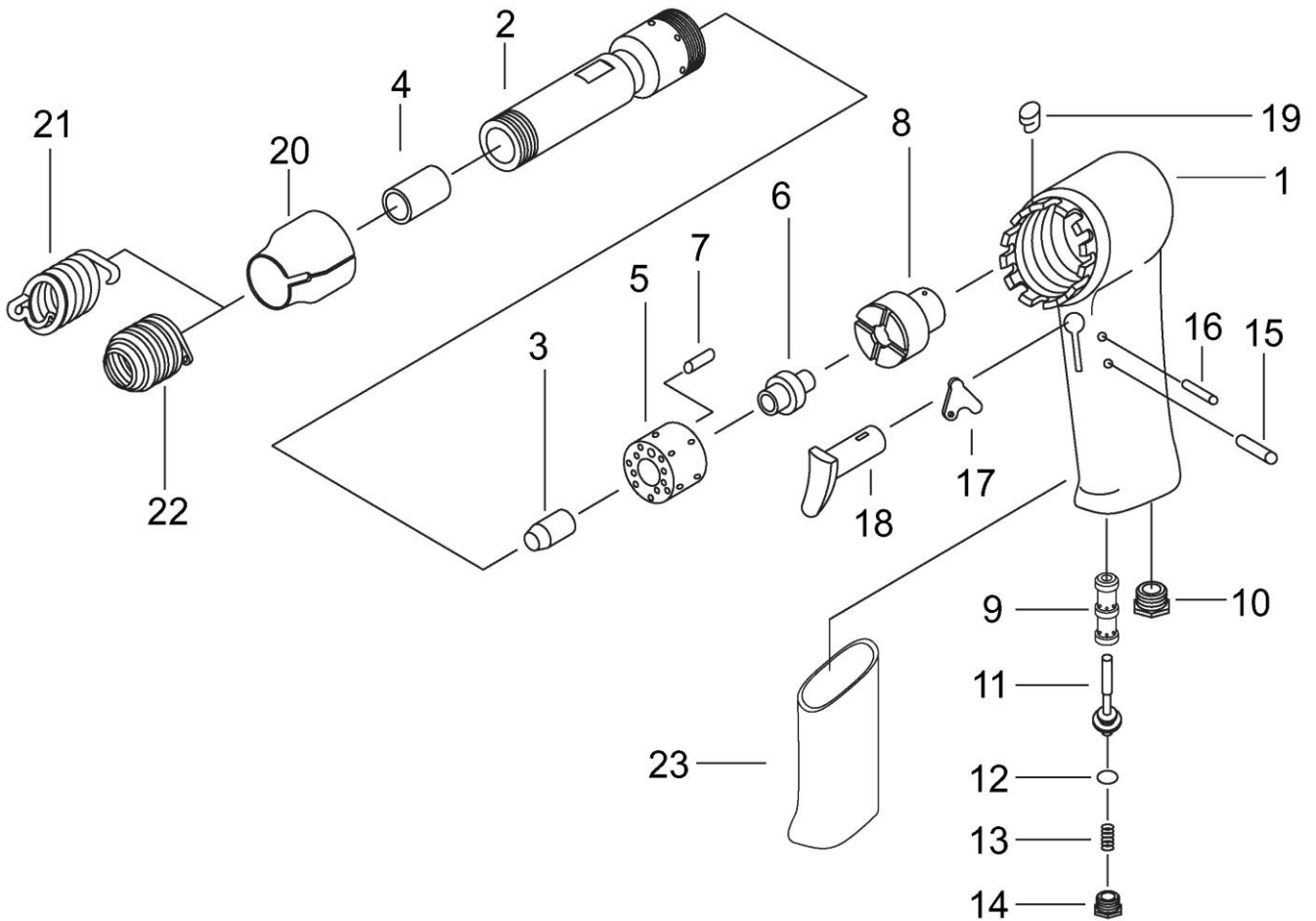


# SUPER DUTY AIR RIVETING HAMMER



4791-XP4

| INDEX NO. | DESCRIPTION   | REQ'D NO. | INDEX NO. | DESCRIPTION               | REQ'D NO. |
|-----------|---------------|-----------|-----------|---------------------------|-----------|
| 01        | Handle        | 1         | 13        | Spring                    | 1         |
| 02        | Cylinder(4X)  | 1         | 14        | Plug                      | 1         |
| 03        | Piston(3X~4X) | 1         | 15        | Pin                       | 1         |
| 04        | Bush          | 1         | 16        | Rod Pin                   | 1         |
| 05        | Valve Box     | 1         | 17        | Assistant Lever           | 1         |
| 06        | Valve         | 1         | 18        | Lever                     | 1         |
| 07        | Pin           | 1         | 19        | Stopper Pin               | 1         |
| 08        | Valve Seat    | 1         | 20        | Exhaust Cover             | 1         |
| 09        | Throttle Bush | 1         | 21        | Retainer Spring(Optional) | 1         |
| 10        | Inlet Bushing | 1         | 22        | Bee Hive Spring           | 1         |
| 11        | Valve Stem    | 1         | 23        | Rubber Cover              | 1         |
| 12        | O-Ring        | 1         |           |                           |           |