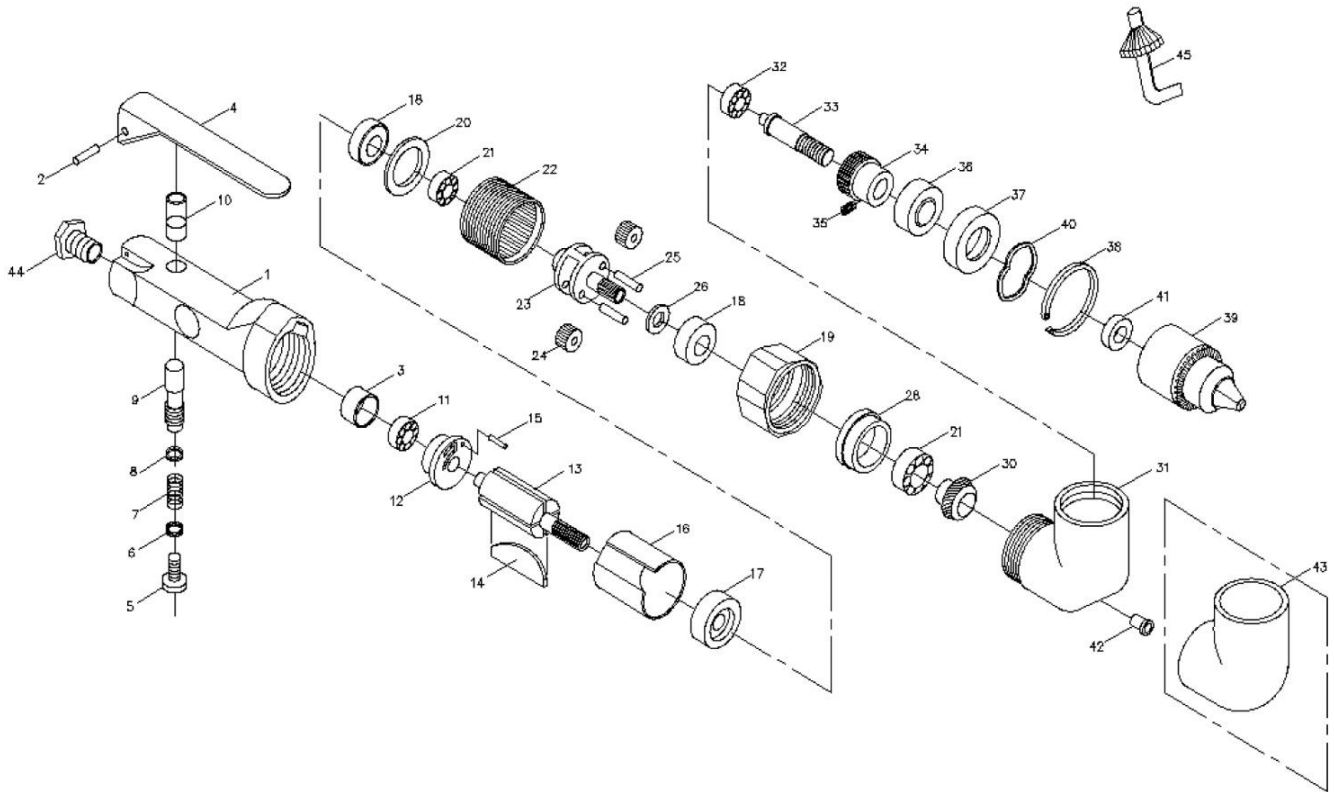


3/8" HEAVY DUTY AIR ANGLE DRILL



866

INDEX NO.	DESCRIPTION	REQ'D NO.	INDEX NO.	DESCRIPTION	REQ'D NO.
01	Motor Housing	1	23	Planet Cage	1
02	Pin	1	24	Planet Gear	2
03	Bearing Cap	1	25	Pin	2
04	Throttle Lever	1	26	Washer	1
05	Valve Screw	1	28	Bearing Cap	1
06	O-Ring	1	30	Pinion	1
07	Spring	1	31	Angle Housing (Inc.#42)	1
08	O-Ring	1	32	Ball Bearing	1
09	Throttle Valve	1	33	Spindle	1
10	Valve Bushing	1	34	Gear	1
11	Ball Bearing	1	35	Set Screw	1
12	Rear End Plate	1	36	Ball Bearing	1
13	Rotor	1	37	Bearing Cap	1
14	Rotor Blade	4	38	Retaining Ring	1
15	Pin	1	39	3/8" Drill Chuck	1
16	Cylinder	1	39	Keyless Chuck	
17	Front End Plate	1	40	Wave Washer	1
18	Ball Bearing	2	41	Spacer	1
19	Clamp Nut	1	42	Grease Cup	1
20	Washer	1	43	Cover	1
21	Ball Bearing	2	44	Air Inlet	1
22	Intenal Gear	1	45	Chuck Key	1

0000.00.00

2006.12.08 2016.02.01