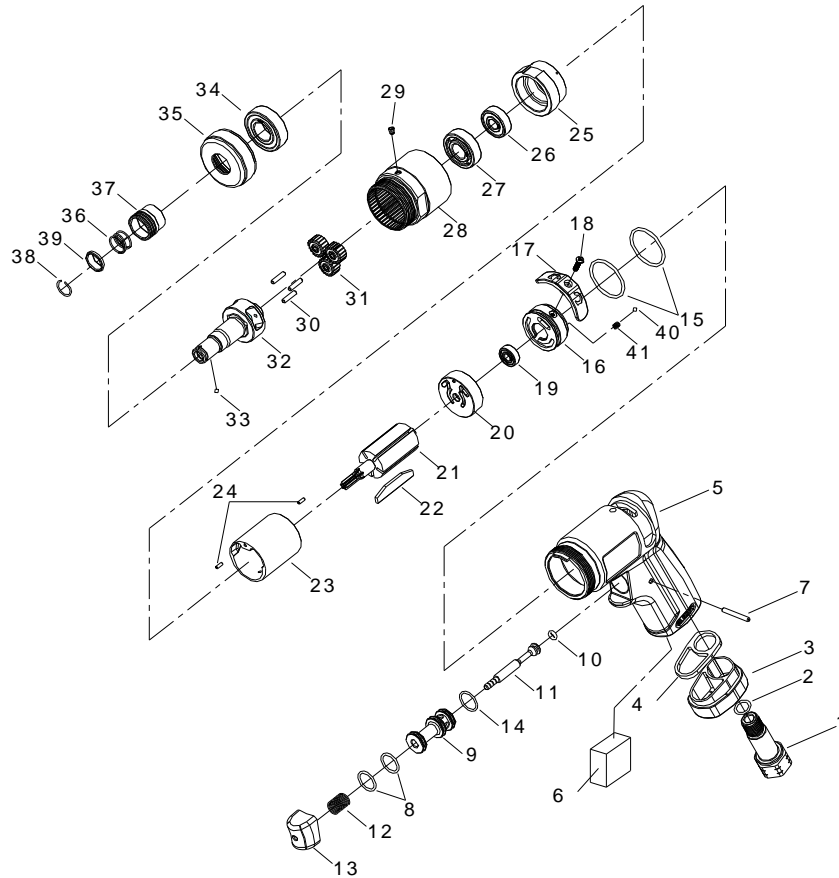
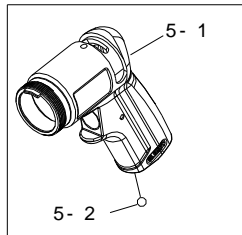


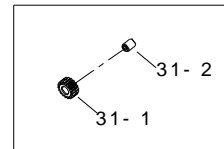
# 1/4" HEX. SUPER DUTY SCREWDRIVER



Housing Assembly NO.5



Planet Gear Assembly NO.31



3273

| INDEX NO. | DESCRIPTION                       | REQ'D NO. | INDEX NO. | DESCRIPTION   | REQ'D NO. |
|-----------|-----------------------------------|-----------|-----------|---|-----------|
| 1         | Air Inlet                         | 1         | 22        | Rotor Blade   | 5         |
| 2         | O-Ring                            | 1         | 23        | Cylinder  | 1         |
| 3         | Exhaust Deflector                 | 1         | 24        | Spring Pin  | 2         |
| 4         | Washer                            | 1         | 25        | Front End Plate   | 1         |
| ★ 5       | Housing Assembly ( incl.5-1.5-2 ) | 1         | 26        | Ball Bearing  | 1         |
| ● 5-1     | Motor Housing                     | 1         | 27        | Ball Bearing  | 1         |
| ● 5-2     | Steel Ball                        | 1         | 28        | Gear Housing  | 1         |
| 6         | Muffler Element                   | 1         | 29        | Grease Fitting  | 1         |
| 7         | Pin                               | 1         | 30        | Pin   | 3         |
| 8         | O-Ring                            | 2         | ★ 31      | Planet Gear Assembly ( incl.31-1.31-2 )   | 3         |
| 9         | Throttle Valve Seat               | 1         | ● 31-1    | Planet Gear   | 3         |
| 10        | O-Ring                            | 1         | ● 31-2    | Bushing   | 3         |
| 11        | Throttle Valve Plunger            | 1         | 32        | Work Spinder  | 1         |
| 12        | Spring                            | 1         | 33        | Steel Ball  | 1         |
| 13        | Trigger                           | 1         | 34        | Ball Bearing  | 1         |
| 14        | O-Ring                            | 1         | 35        | Bearing Washer  | 1         |
| 15        | O-Ring                            | 2         | 36        | Spring  | 1         |
| 16        | Reverse Valve                     | 1         | 37        | Release Sleeve  | 1         |
| 17        | Reverse Valve Knob                | 1         | 38        | Socket Retainer   | 1         |
| 18        | Screw                             | 1         | 39        | Washer  | 1         |
| 19        | Ball Bearing                      | 1         | 40        | Steel Ball  | 1         |
| 20        | Rear End Plate                    | 1         | 41        | Spring  | 1         |
| 21        | Rotor                             | 1         | TK        | Tune-Up Kit { incl.2.6 .8 ( 2 ).10.12.14.15 ( 2 ).19.22 ( 5 ).26.27.33.34.40.41 } |           |

★ Must be Purchased in Assembly Set

● Recommended not to be purchased alone due to assembly difficulty

20140421R1