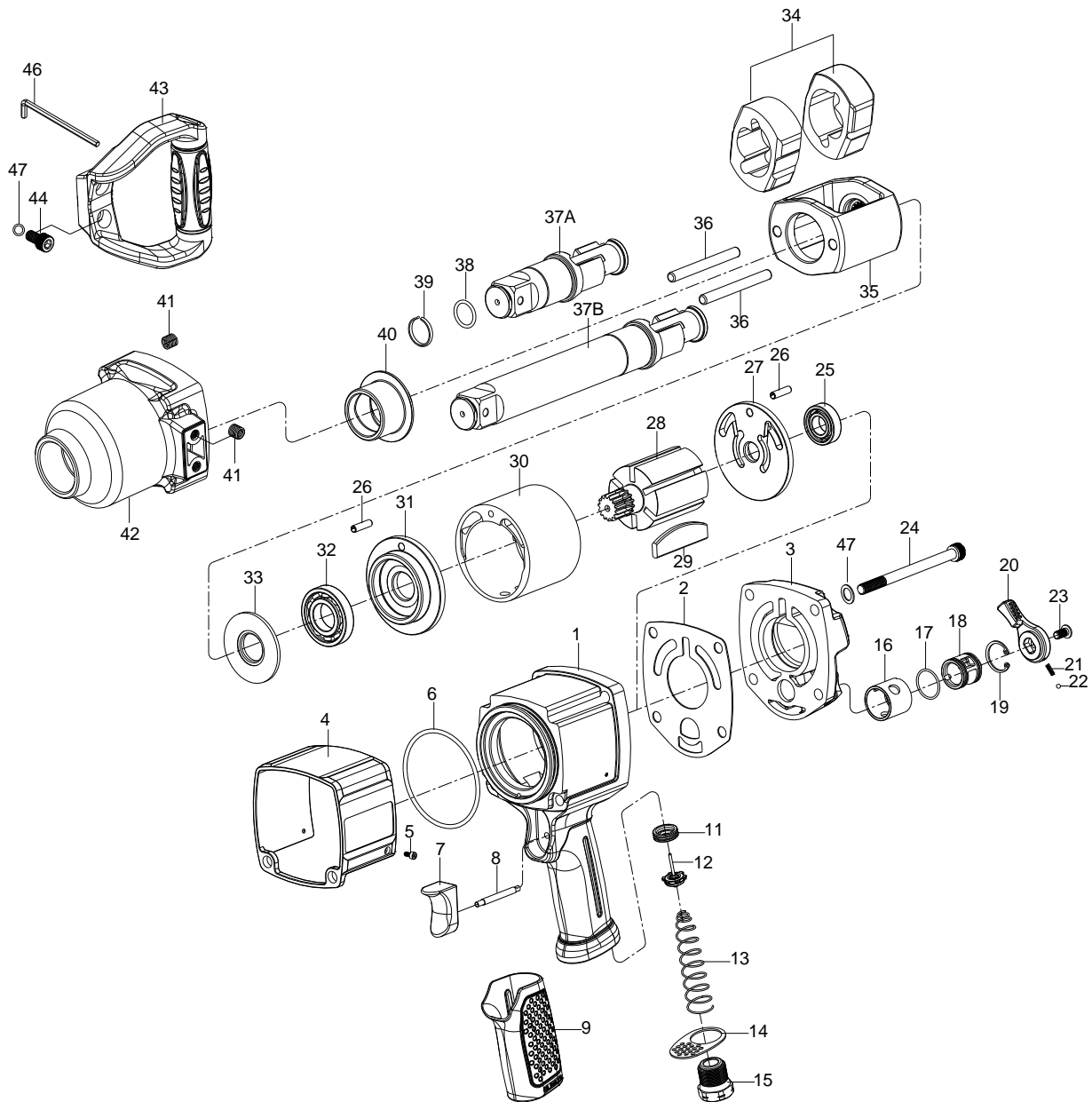


1" SQ. DR.SUPER DUTY IMPACT WRENCH



1838A-P / 1838A-P-6

INDEX NO.	DESCRIPTION	REQ'D NO.	INDEX NO.	DESCRIPTION	REQ'D NO.
★ 1	Housing Assembly (incl. 9.11)	1	26	Pin	2
2	Gasket	1	★ 27	End Plate Assembly (incl. 25)	1
★ 3	Backhead (incl. 16)	1	28	Rotor	1
4	Rubber Grip	1	29	Rotor Blade	6
5	Screw	2	30	Cylinder	1
6	O-Ring	1	31	End Plate	1
7	Trigger	1	32	Bearing	1
8	Trigger Pin	1	33	Washer	1
● 9	Rubber Grip	1	34	Hammer	2
● 11	Throttle Valve Seat	1	35	Hammer Frame	1
12	Throttle Valve Assembly	1	36	Hammer Pin	2
13	Spring	1	37A	Standard Anvil (for KI-1838P)	1
14	Exhaust Deflector	1	37B	6" Extended Anvil (for KI-1838P-6)	1
15	Air Inlet	1	38	O-Ring	1
● 16	Reverse Valve Bushing	1	39	Socket Retainer	1
17	O-Ring	1	● 40	Bushing	1
18	Reverse Valve	1	● 41	Heli-Coil	6
19	Retainer	1	★ 42	Hammer Case Assembly (incl. 40.41)	1
20	Reverse Valve Knob	1	43	Side Spade Handle	1
21	Spring	1	44	Screw	2
22	Steel Ball	1	46	Hex Key Wrench	1
23	Screw	1	47	Washer	6
24	Screw	4			
● 25	Bearing	1	TK	Tune-Up Kit { incl. 2.6.13.17.21.22.29 (6).38.39 }	

★ Must be Purchased in Assembly Set

● Recommended not to be purchased alone due to assembly difficulty