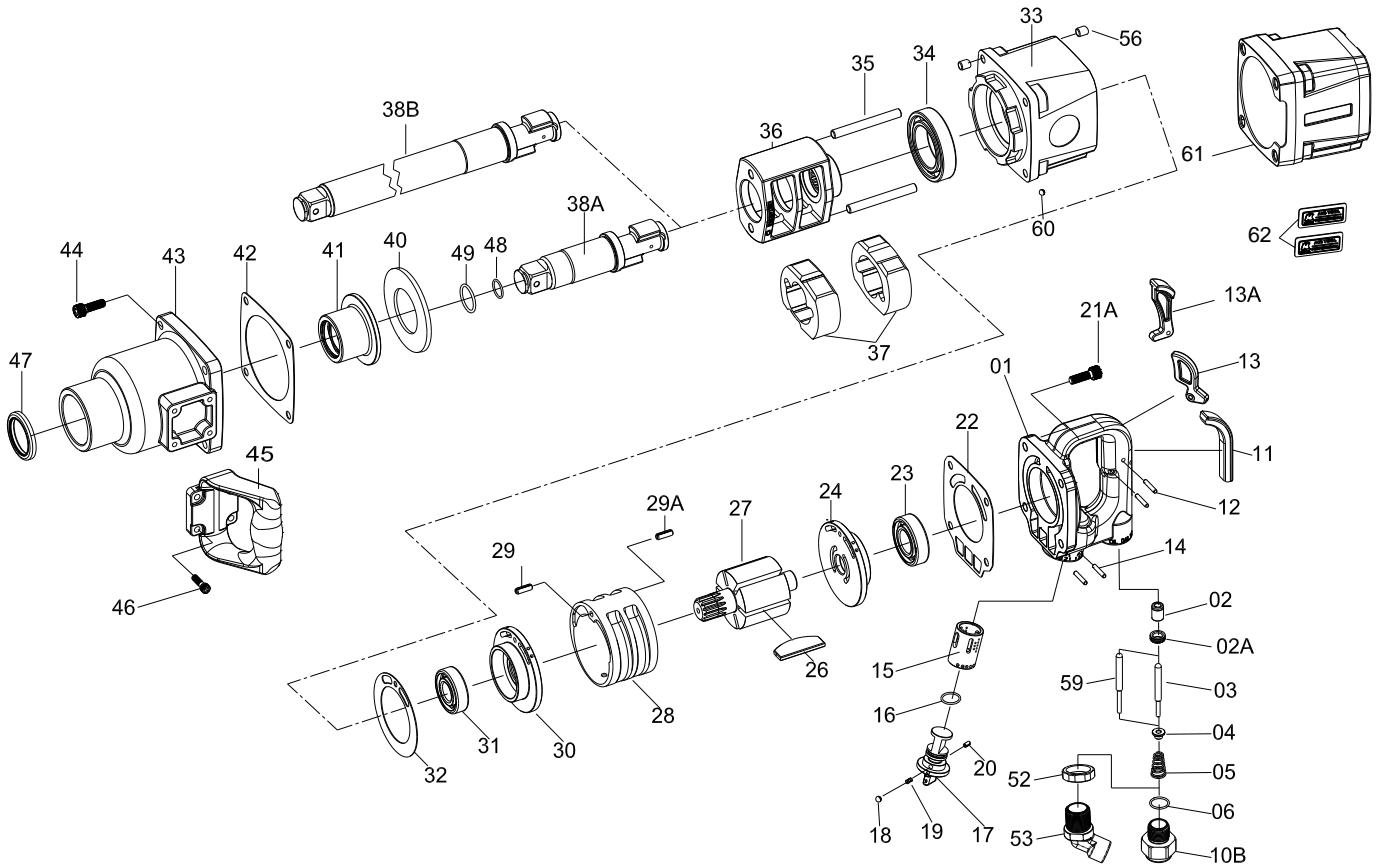


# 1" SQ. DR. SUPER DUTY IMPACT WRENCH



## 36/36-6

INDEX NO.	DESCRIPTION	REQ'D NO.	INDEX NO.	DESCRIPTION	REQ'D NO.
★ 1	Backhead Assembly ( incl. 2.15 )	1	★ 30	Front End Plate Assembly ( incl. 31 )	1
● 2	Bushing	1	● 31	Ball Bearing	1
2A	Throttle Valve Seat	1	● 32	Gasket	1
3	Throttle Valve Plunger ( for Inside Trigger )	1	★ 33	Housing Assembly ( incl. 56.60 )	1
4	Throttle Valve	1	34	Ball Bearing	1
5	Spring	1	35	Hammer Pin	2
6	O-Ring	1	36	Hammer Frame	1
10B	Air Inlet	1	37	Hammer	2
11	Rubber Cap ( for Inside Trigger )	1	38A	Standard Anvil ( for KI-36 )	1
12	Pin	2	38B	6" Extended Anvil ( for KI-36-6 )	1
13	Inside Trigger ( Option )	1	40	Washer	1
13A	Outside Trigger ( Option )	1	41	Bushing	1
14	Spring Pin	2	42	Gasket	1
● 15	Reverse Valve Bushing	1	43	Hammer Case	1
16	O-Ring	1	44	Screw	4
17	Reverse Valve	1	45	Side Spade Handle	1
18	Steel Ball	1	46	Screw	4
19	Spring	1	47	Oil Seal	1
20	Spring Pin	1	48	O-Ring	1
21A	Screw	4	49	Socket Retainer	1
22	Gasket	1	52	Lock Nut ( Option )	1
● 23	Ball Bearing	1	53	Air Inlet ( Option )	1
★ 24	Rear End Plate Assembly ( incl. 23 )	1	● 56	Heli-Coil	8
26	Rotor Blade	6	59	Throttle Valve Plunger ( for Outside Trigger )	1
27	Rotor	1	● 60	Steel Ball	4
28	Cylinder	1	61	Rubber Grip	1
29	Spring Pin	1	62	Tag	2
29A	Spring Pin	1	TK	Tune-Up Kit { incl.5.6.16.18.19.22.23.26 ( 6 ).31.32.34.42.48.49 }	

★ Must be Purchased in Assembly Set

● Recommended not to be purchased alone due to assembly difficulty

20140505R1